

变压器用美标阀门

American standard valves for transformers

1. 用途与参数说明 Usage and parameter description

变压器用美标阀门设计用于从油浸式变压器的油箱中取样、填充或排放变压器油。阀门有带取油样阀、不带取样阀两种配置。阀体为不锈钢材质，该阀门设计紧凑，操作简便，密封性能可靠。

Transformers are designed with American standard valves for sampling, filling, or draining transformer oil from the oil tank of oil immersed transformers. The valve has two configurations: with oil sampling valve and without sampling valve. The valve body is made of stainless steel material, with a compact design, easy operation, and reliable sealing performance.

技术参数: (a). 箭头方向应指向变压器油排出方向; (b). 环境要求: $-45^{\circ}\text{C}\sim+70^{\circ}\text{C}$; 工作环境要求: $-45^{\circ}\text{C}\sim+110^{\circ}\text{C}$; (c). 能承受气压 0.4Mpa, 20min 内不渗漏; (d). 压力等级: 300 lb. WOG; (e). 手轮右旋为关阀, 左旋为开通。

Technical parameters: (a) The arrow direction should point towards the direction of transformer oil discharge; (b) Environmental requirements: $-45^{\circ}\text{C}\sim+70^{\circ}\text{C}$; Work environment requirements: $-45^{\circ}\text{C}\sim+110^{\circ}\text{C}$; (c) Can withstand a pressure of 0.4Mpa without leakage within 20 minutes; (d) Pressure rating: 300 lb. WOG; (e) Turning the handwheel to the right closes the valve, while turning it to the left opens it.

2. 安装尺寸图: Drawing

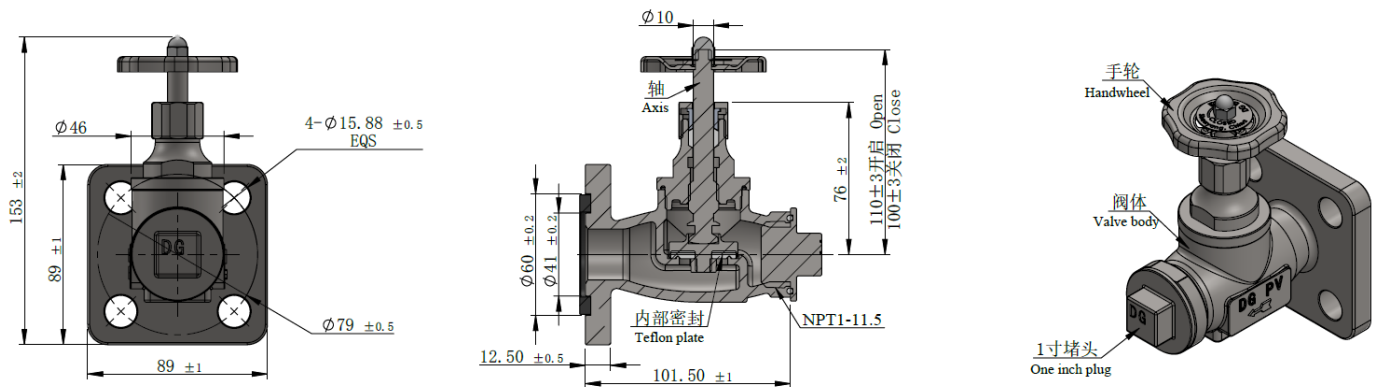


图 1 美标阀门外形尺寸图

Figure 1 Dimension of American standard valve

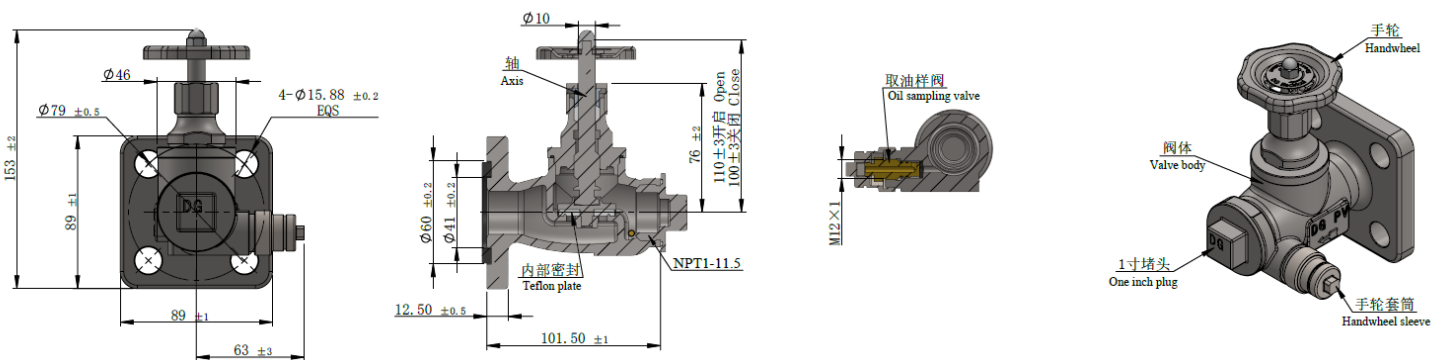


图 2 美标阀门（带取油样阀）外形尺寸图

Figure 2 Dimension of American standard valve (with oil sampling valve)

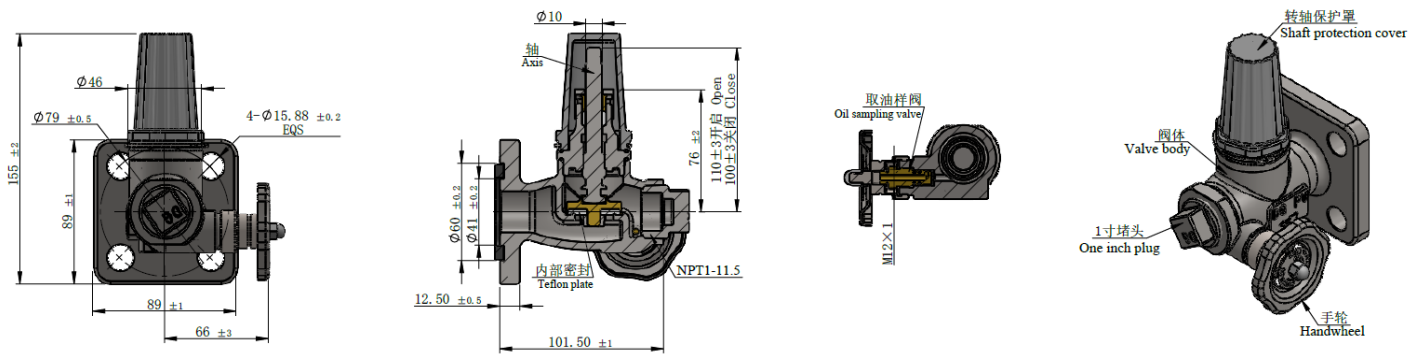


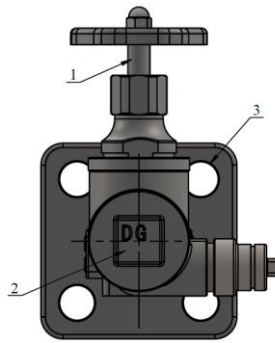
图 3 美标阀门（带取油样阀）（带保护罩）外形尺寸图

Figure 3 Dimension of American standard valve (with oil sampling valve) (With protective cover)

本产品提供多种颜色选择，具体描述如下：

The product provides a variety of color options, specifically described as follows:

色卡编号 Color card No	颜色 Color	可选性 Optionality of choice
RAL7038	玛瑙灰 Agate grey	默认 (Default)
RAL7042	交通灰 A Traffic grey A	可选 (Optional)
RAL7035	浅灰色 Light grey	可选 (Optional)



扭矩参考表

Torque Reference Table

序号 Number	装配位置 Assembly position	螺纹规格 Thread specification	推荐扭矩 Recommended torque	装配工具规格 Assembly tool specifications		备注 Notes
1	轴 Axis	Tr15×3	18~22 Nm	22mm		建议手动安装 Suggest manual installation
2	一寸堵头 One inch plug	NPT1-11.5	≤10 Nm			
3	法兰安装孔 Flange installation hole	M12 螺栓 bolt	35~40Nm		19mm	