

YZF-90 型指针式油位计

YZF-90 pointer type oil level gauge

1. 产品简介与型号说明 Product Introduction and Model Description

YZF 型变压器用指针式油位计（简称油位计）是变压器储油柜的油位测试装置。其主要结构包括：浮球部分，传动部分，磁偶合器，指示部分，报警部分。浮球部分将油位高低通过传动部分与磁偶合器带动指示部分，最后通过指针在度盘上指示出油位的高低，并在最低油位和最高油位时发出报警信号，起到远距离监控的目的。

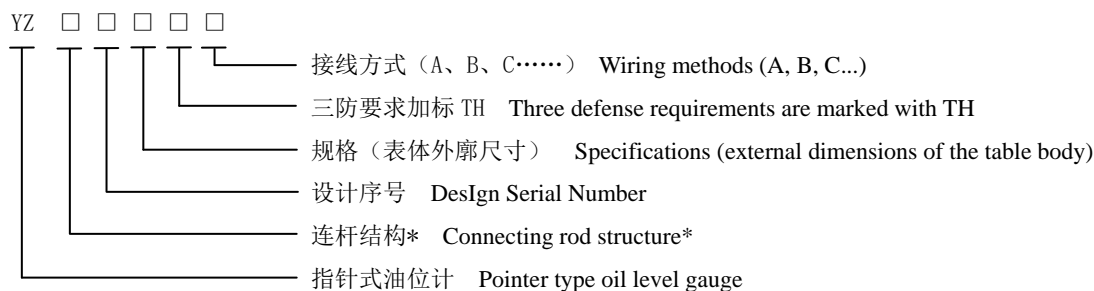
我公司所生产产品按照盘面直径分为：90mm 规格，分别适用于不同直径的储油柜，油位计带高、低油位报警开关。

按照连杆的摆动形式分为：左右摆动，分别适用于箱变、美式箱变及有载开关储油柜。

The YZF type transformer pointer type oil level gauge (abbreviated as oil level gauge) is an oil level testing device for transformer oil storage tanks. Its main structure includes: floating ball part, transmission part, magnetic coupling, indication part, and alarm part. The float part drives the indicator part through the transmission part and magnetic coupling to indicate the oil level, and finally indicates the oil level on the dial through the pointer. It also sends an alarm signal at the lowest and highest oil levels, achieving the purpose of remote monitoring.

Our company's products are divided into 90mm specifications according to the diameter of the panel, which are suitable for oil storage tanks of different diameters. The oil level gauge is equipped with high and low oil level alarm switches.

According to the swing form of the connecting rod, it can be divided into left and right swing, which are respectively suitable for box transformers, American box transformers, and on load switch oil storage tanks.



标注实例：YZF-90THC 表示表盘外廓尺寸为 $\Phi 90\text{mm}$ ，(F) 直杆浮球式，带低油位报警信号，(TH) 三防功能，(C) 1、2 为超低油位点，3、4 为低油位点的指针式油位计。

Example annotation: YZF-90THC represents a dial with an outer dimension of $\Phi 90\text{mm}$, (F) straight rod floating ball type, with low oil level alarm signal, (TH) three proof function, (C) 1、2 is the ultra-low oil level point, and 3 and 4 are pointer type oil level gauges for low oil level points.

技术参数:

(a). 环境温度：-30℃~+70℃（可根据用户需求定制最高可支持 -45℃~+70℃），工作环境要求：-30℃~+115℃（可根据用户需求定制最高可支持 -45℃~+115℃）；(b). 相对湿度：当空气温度为 20℃时，相对湿度不大于 95%；(c). 油温不高于 115℃；(d). 无剧烈振动和颠簸的场所；(e). 指示误差：小于全盘的 2.5%；(f). 长期稳定性：不小于 10000 次；(g). 密封性能：245kPa，20min 无渗漏；(h). 防护等级：IP55（可根据用户需求定制）。适用范围：海拔 0~4000m；(i). 开关容量：AC 220V 5A，DC 220V 0.5A；(j). 工频耐压：常开接点 2000V，1min，常闭接点或单刀双掷接点：相间 1000V，1min，对地 2000V，1min；(k). 绝缘性能：常开接点 2500V，500M Ω ，常闭接点或单刀双掷接点：相间 1000V，500M Ω ，对地 2500V，500M Ω 。

Technical parameters:

(a) Environmental requirements: -30 °C to +70 °C (can be customized according to user needs to support up to -45 °C to +70 °C); Work environment requirements: -30 °C ~ +115 °C (customizable according to user needs, can support up to -45 °C ~ +115 °C); (b) Relative humidity: When the air temperature is 20 °C, the relative humidity should not exceed 95%; (c) The oil temperature should not exceed 115 °C; (d) Places without severe vibrations and bumps; (e) Indication error: less than 2.5% of the entire disk; (f) Long term stability: not less than 10000 cycles; (g) Sealing performance: 245kPa, no leakage for 20 minutes; (h) Protection level: IP55 (Customizable according to user requirements). Scope of application: Altitude 0~4000m.; (i) Switch capacity: AC 220V 5A, DC 220V 0.5A; (j) Power frequency withstand voltage: normally open contact 2000V, 1min, normally closed contact or single pole double throw contact: phase to phase 1000V, 1min, ground 2000V, 1min; (k) Insulation performance: normally open contact 2500V, 500M Ω , normally closed contact or single pole double throw contact: phase to phase 1000V, 500M Ω , ground 2500V, 500M Ω .

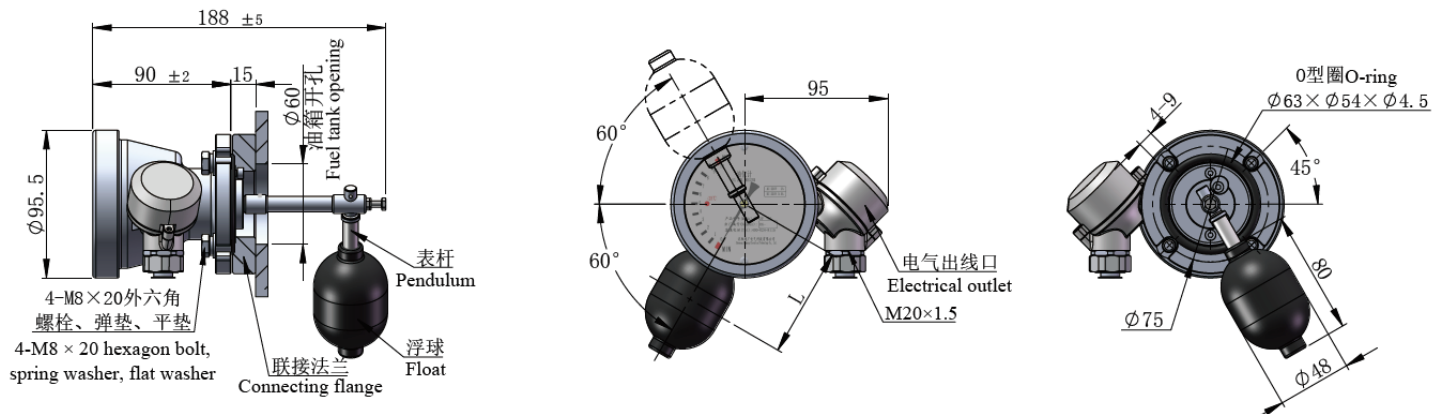
2. 指针式油位计外形尺寸图 Outline dimension diagram of pointer type oil level gauge

图 1 YZF-90 油位计竖直线型 I

Figure 1 YZF-90 oil level gauge vertical outlet type I

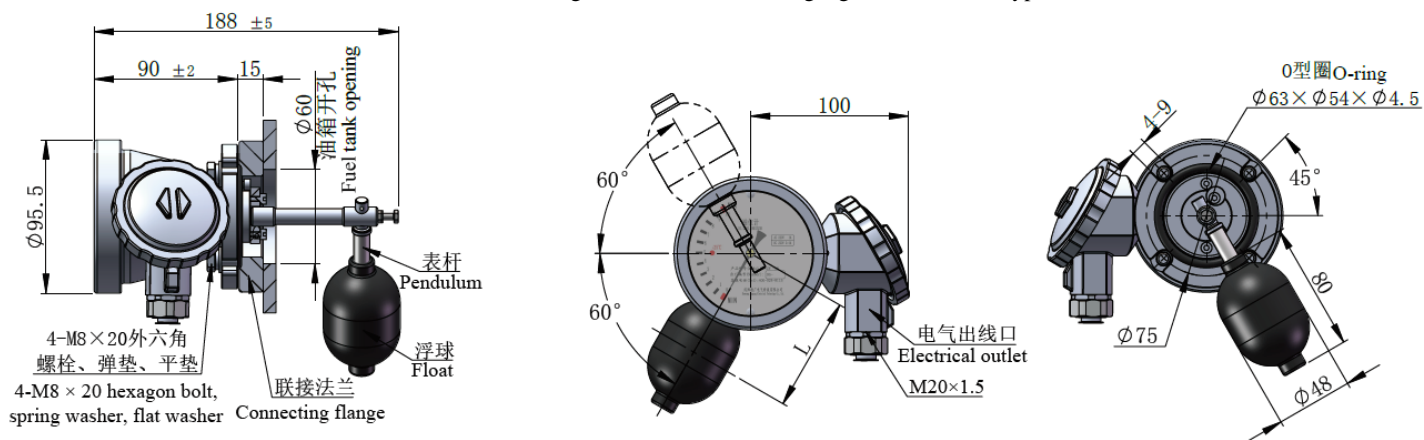

图 2 YZF-90 油位计竖直线型 II

Figure 1 YZF-90 oil level gauge vertical outlet type II

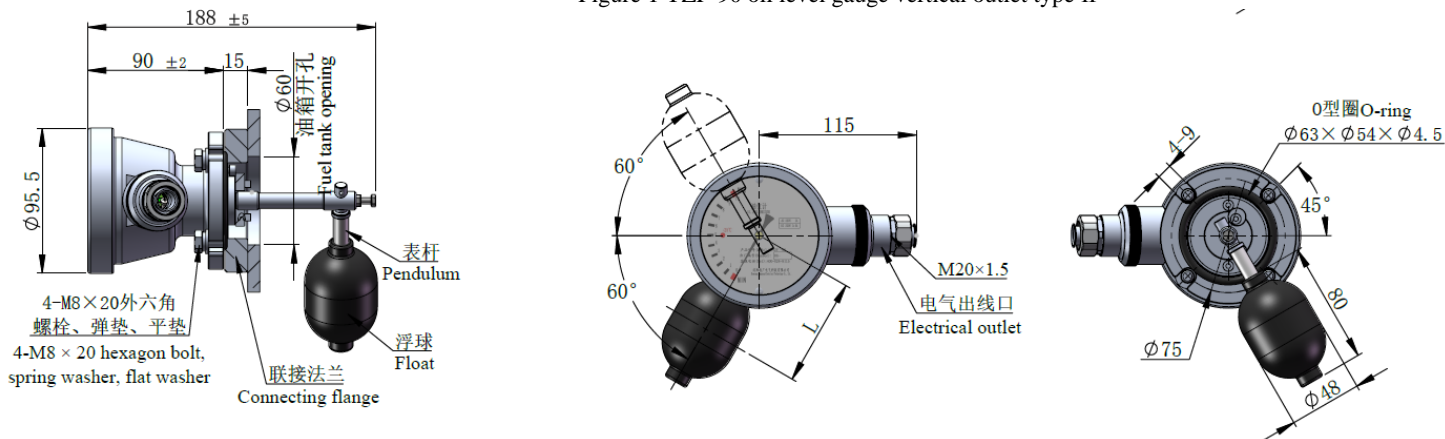
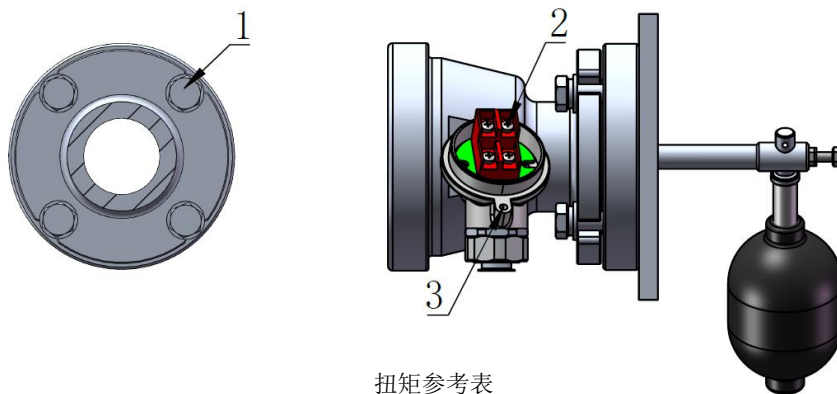

图 3 YZF-90 油位计水平出线型

Figure 3 Horizontal output line of YZF-90 oil level gauge

本产品提供多种颜色选择，具体描述如下：




The product provides a variety of color options, specifically described as follows:

色卡编号 Color card No	颜色 Color	可选性 Optionality of choice
RAL7038	玛瑙灰 Agate grey	默认 (Default)
RAL7042	交通灰 A Traffic grey A	可选 (Optional)
RAL7035	浅灰色 Light grey	可选 (Optional)

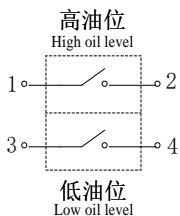
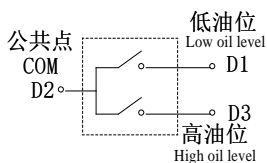
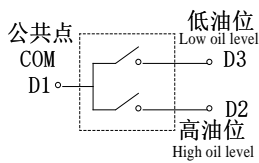
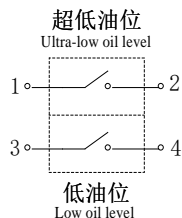
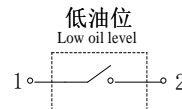
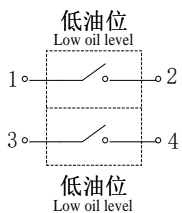
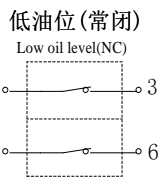
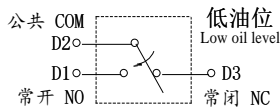
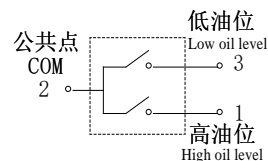
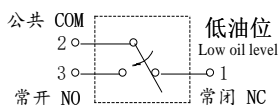
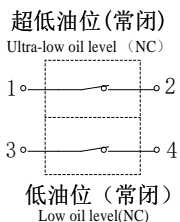
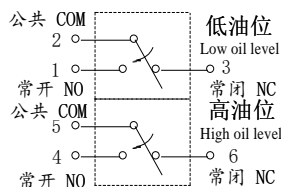
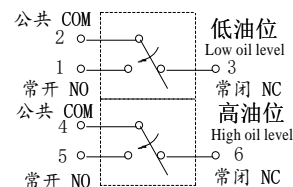


扭矩参考表

Torque Reference Table

序号 Number	装配位置 Assembly position	螺纹规格 Thread specification	推荐扭矩 Recommended torque	装配工具规格 Assembly tool specification	备注 Notes
1	法兰安装孔 Flange installation hole	M8 螺栓 bolt	11~14Nm	 13mm	
2	接线端子 Connecting terminal	M3	0.5~1Nm		建议手动安装 Suggest manual installation
3	接线盒盖 Terminal box cover	M4	1.5~2Nm		建议手动安装 Suggest manual installation

3. 油位计电气接线图 Electrical wiring diagram of oil level gauge


 YZF-90TH 接线图
 YZF-90TH Wiring Diagram

 YZF-90THA 接线图
 YZF-90THA Wiring Diagram

 YZF-90THB 接线图
 YZF-90THB Wiring Diagram

 YZF-90THC 接线图
 YZF-90THC Wiring Diagram

 YZF-90THD 接线图
 YZF-90THD Wiring Diagram

 YZF-90THE 接线图
 YZF-90THE Wiring Diagram

 YZF-90THF 接线图
 YZF-90THF Wiring Diagram

 YZF-90THG 接线图
 YZF-90THG Wiring Diagram

 YZF-90THH 接线图
 YZF-90THH Wiring Diagram

 YZF-90THI 接线图
 YZF-90THI Wiring Diagram

 YZF-90THJ 接线图
 YZF-90THJ Wiring Diagram

 YZF-90THK 接线图
 YZF-90THK Wiring Diagram

 YZF-90THL 接线图
 YZF-90THL Wiring Diagram