

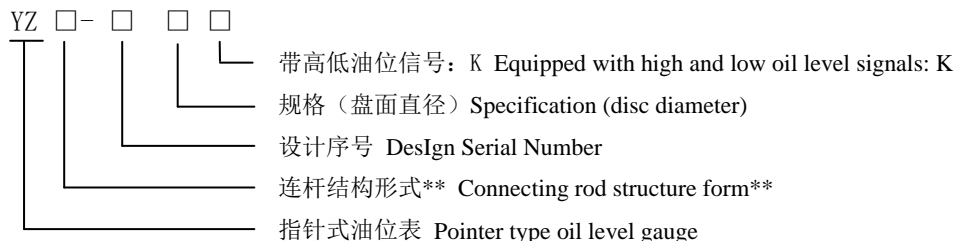
YZF-60K 型变压器用指针式油位计

YZF-60K type transformer pointer oil level gauge

1. 产品简介与型号说明 Product Introduction and Model Description

YZF 型变压器用指针式油位计（简称油位计）是变压器油箱的油位测试装置。可在变压器设定的最高、最低油位时发出报警信号，起到远距离监控的目的。本产品适用于小直径的储油柜、箱变、美式箱变及有载开关储油柜。

The YZF type transformer pointer type oil level gauge (referred to as the oil level gauge) is an oil level testing device for the transformer oil tank. It can emit alarm signals when the transformer is set to the highest and lowest oil levels, achieving the purpose of remote monitoring. This product is suitable for small diameter oil storage tanks, box transformers, American box transformers, and on load switch oil storage tanks.



注：1. **连杆结构形式：F 为直杆浮球式；

2. 设计序号：第 1 次设计，所以省略。

Note: 1** Link structure form: F is a straight rod floating ball type;

2. Design number: The first design, so it is omitted.

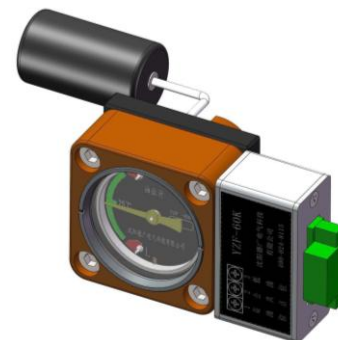


图 1 YZF-60K 3D 效果图

Figure 1 YZF-60K 3D rendering

技术参数：

- (a). 环境温度：-30℃~+70℃（可根据用户需求定制最高可支持 -45℃~+70℃），工作环境要求：-30℃~+115℃（可根据用户需求定制最高可支持 -45℃~+115℃）；
- (b). 相对湿度：当空气温度为 20℃时，相对湿度不大于 95%，适用范围：海拔 0~4000m；
- (c). 油温不高于 115℃；
- (d). 无剧烈振动和颠簸的场所；
- (e). 指示误差：小于全盘的 2.5%；
- (f). 长期稳定性：不小于 10000 次；
- (g). 开关容量：AC 220V 5A，DC 220V 0.3A；
- (h). 工频耐压：常开接点 2000V，1min，常闭接点或单刀双掷接点：相间 1000V，1min，对地 2000V，1min；
- (i). 绝缘性能：常开接点 2500V，500MΩ，常闭接点或单刀双掷接点：相间 1000V，500MΩ，对地 2500V，500MΩ。

Technical parameters:

- (a) Environmental requirements: -30 °C to +70 °C (can be customized according to user needs to support up to -45 °C to +70 °C); Work environment requirements: -30 °C ~ +115 °C (customizable according to user needs, can support up to -45 °C ~ +115 °C);
- (b) Relative humidity: When the air temperature is 20 °C, the relative humidity should not exceed 95%, Scope of application: Altitude 0~4000m.;
- (c) The oil temperature should not exceed 115 °C;
- (d) Places without severe vibrations and bumps;
- (e) Indication error: less than 2.5% of the entire disk;
- (f) Long term stability: not less than 10000 cycles;
- (g) Switch capacity: AC 220V 5A, DC 220V 0.3A;
- (h) Power frequency withstand voltage: normally open contact 2000V, 1min, normally closed contact or single pole double throw contact: phase to phase 1000V, 1min, ground 2000V, 1min;
- (i) Insulation performance: normally open contact 2500V, 500M Ω, normally closed contact or single pole double throw contact: phase to phase 1000V, 500M Ω, ground 2500V, 500M Ω.

2. 安装尺寸图: Drawing

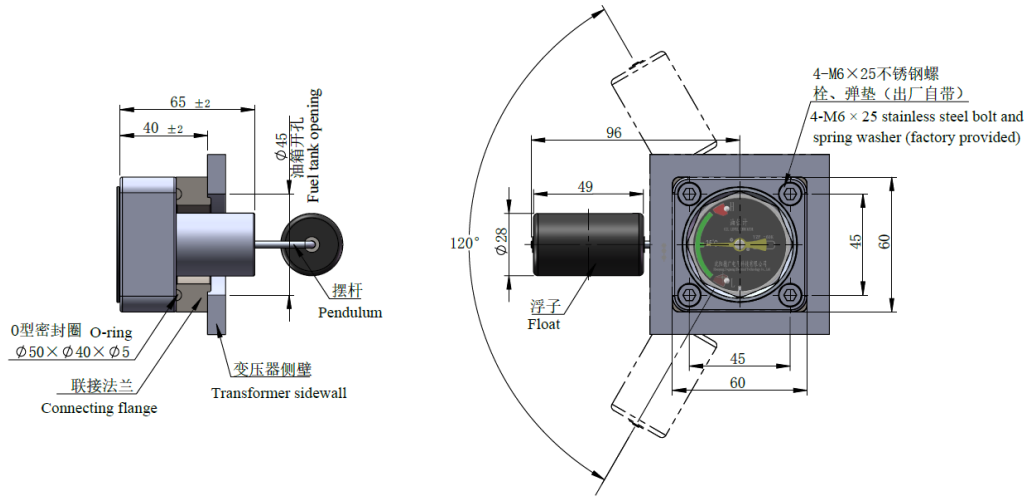


图 2 YZF-60 无电气信号接点的外形尺寸图

Figure 2 Outline dimension diagram of YZF-60 without electrical signal contact

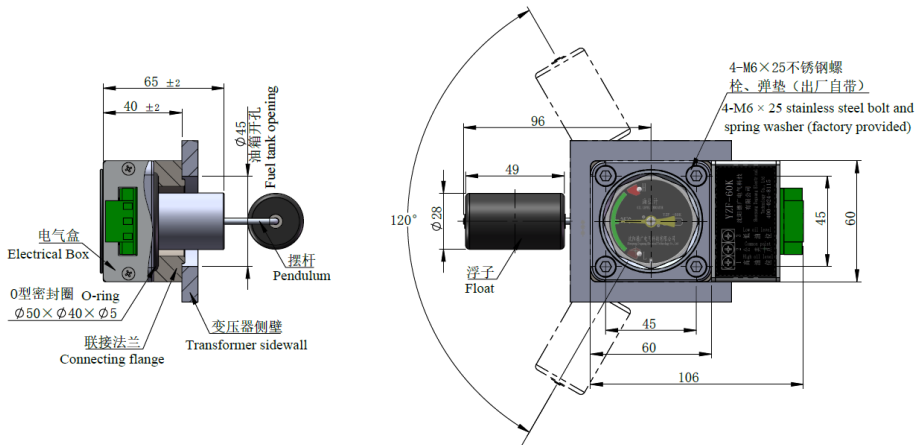


图 3 YZF-60K 带电气信号接点的外形尺寸图

Figure 3 Outline dimension diagram of YZF-60K with electrical signal contacts

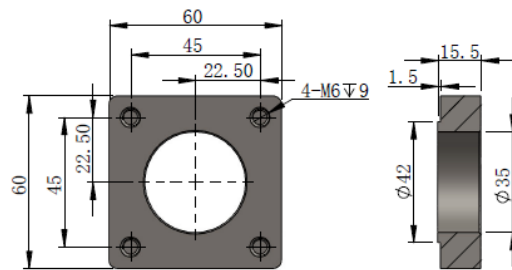
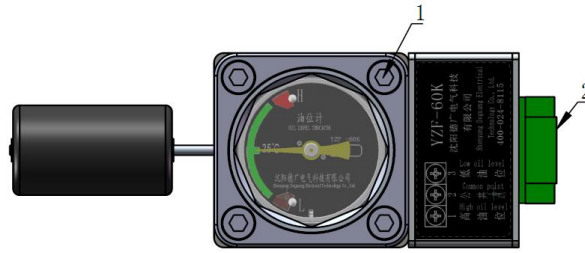




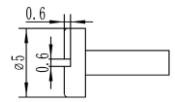
图 4 YZF-60K 与 YZF-60 连接法兰尺寸图

Figure 4 Dimension diagram of YZF-60K and YZF-60 connection flange



扭矩参考表

Torque Reference Table

序号 Number	装配位置 Assembly position	螺纹规格 Thread specification	推荐扭矩 Recommended torque	装配工具规格 Assembly tool specification		备注 Notes
1	法兰安装孔 Flange installation hole	M6 螺栓 bolt	7~8Nm		5mm	
2	接线端子 Connecting terminal	M2.5	0.4~0.6Nm			建议手动安装 Suggest manual installation

本产品提供多种颜色选择，具体描述如下：

The product provides a variety of color options, specifically described as follows:

色卡编号 Color card No	颜色 Color	可选性 Optionality of choice
RAL7038	玛瑙灰 Agate grey	默认 (Default)
RAL7042	交通灰 A Traffic grey A	可选 (Optional)
RAL7035	浅灰色 Light grey	可选 (Optional)

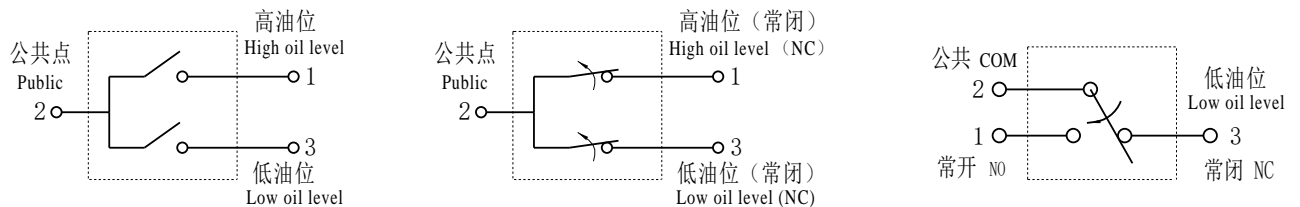


图 5 YZF-60K 电气接线图

Figure 5 YZF-60K Electrical Wiring Diagram