

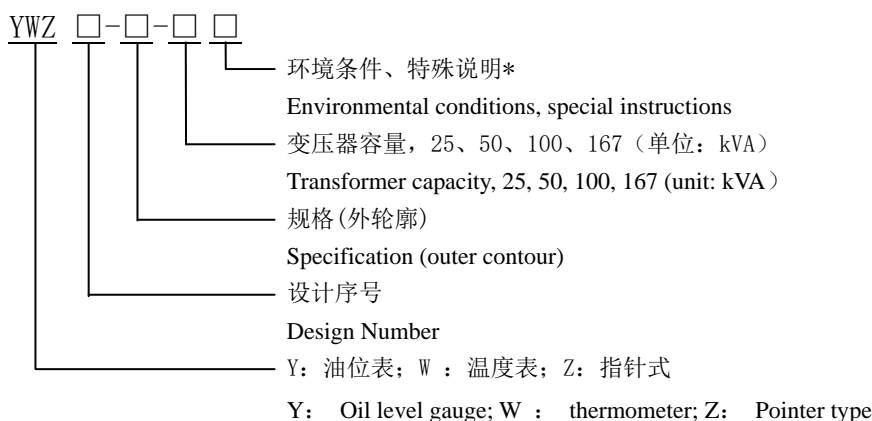
# YWZ 型变压器用一体油位-温度表

## YWZ type transformer integrated oil level temperature gauge

### 1. 产品简介与型号说明 Product Introduction and Model Description

YWZ 型变压器用一体油位-温度表是变压器油箱的油位测试装置和油温测试装置合二为一的产品。其主要结构包括：油位计的浮球部分、传动部分、磁偶合器、指示部分；温度计的双金属感温棒、指示部分。浮球部分将油位高低通过传动部分与磁偶合器带动指示部分，最后通过指针在表盘上指示出油位的高低；温度计部分将双金属感温棒感受到的温度变化转换为指针的旋转，并在表盘上准确的指示出来，起到现场观测的目的。本产品为公司所生产表体外廓尺寸为：80mm 规格的产品，分别适用于小直径的储油柜、箱变、美式箱变及有载开关储油柜。

The YWZ transformer integrated oil level temperature gauge is a product that combines the oil level testing device and oil temperature testing device of the transformer oil tank. Its main structure includes: the float part of the oil level gauge, the transmission part, the magnetic coupling, and the indicator part; The bimetallic temperature sensing rod and indicator part of the thermometer. The float part drives the oil level indicator through the transmission part and magnetic coupling, and finally indicates the oil level on the dial through the pointer; The thermometer part converts the temperature changes sensed by the bimetallic temperature sensing rod into the rotation of the pointer and accurately indicates them on the dial, serving the purpose of on-site observation. This product is produced by the company with a body size of 80mm, suitable for small diameter oil storage tanks, box transformers, American style box transformers, and on load switch oil storage tanks.



**标注实例：**YWZ2-80-25TH 即为第 2 次设计，外轮廓为：80mm，适用变压器容量为：25kVA, 湿热带地带适用的一体油位-温度表。

**Example annotation:** YWZ2-80-25TH is the second design, with an outer contour of 80mm and a suitable transformer capacity of 25kVA. It is an integrated oil level temperature gauge suitable for humid and hot areas.

#### 技术参数：

(a). 环境温度：-30℃~+70℃(可根据用户需求定制最高可支持 -45℃~+70℃)，工作环境要求：-30℃~+120℃(可根据用户需求定制最高可支持 -45℃~+120℃)；(b). 相对湿度：当空气温度为 20℃时，相对湿度不大于 95%；(c). 油温不高于 120℃；(d). 无剧烈振动和颠簸的场所；(e). 指示误差：小于全盘的 2.5%；(f). 长期稳定性：不小于 10000 次；(g). 密封性能：245kPa, 20min 无渗漏；(h). 防护等级：IP55 (可根据用户需求定制)。适用范围：海拔 0~4000m；(i). 油温测量范围：0~120℃；(j). 油温指示精度：±0.5℃

(a) Environmental requirements: -30 °C to +70 °C (can be customized according to user needs to support up to -45 °C to +70 °C); Work environment requirements: -30 °C ~ +120 °C (customizable according to user needs, can support up to -45 °C ~ +120 °C); (b) Relative humidity: When the air temperature is 20 °C, the relative humidity should not exceed 95%; (c) The oil temperature should not exceed 120 °C; (d) Places without severe vibrations and bumps; (e) Indication error: less than 2.5% of the entire disk; (f) Long term stability: not less than 10000 cycles; (g) Sealing performance: 245kPa, no leakage for 20 minutes; (h) Protection level: IP55 (Customizable according to user requirements). Scope of application: Altitude 0~4000m.; (i) Oil temperature measurement range: 0~120 °C; (j) Oil temperature indication accuracy: ±0.5 °C

2. 安装尺寸图 (Installation Dimensional Drawing)

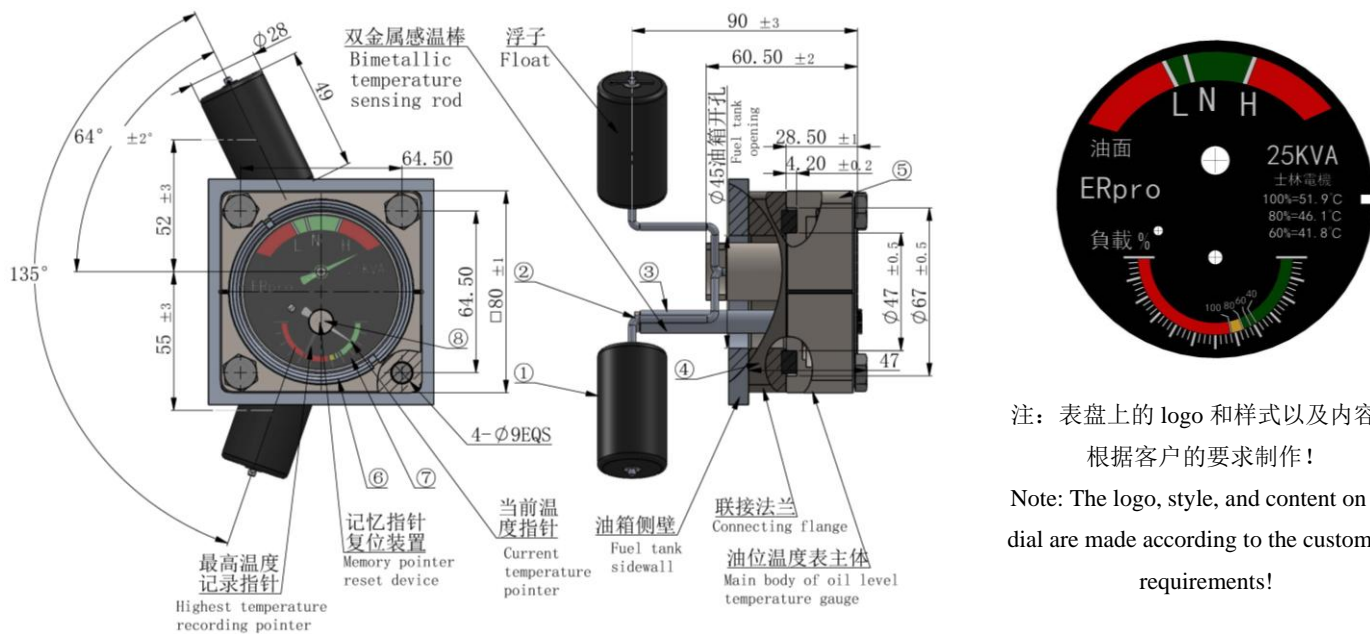


图 1 YZW2-80-XXTH 一体油位-温度表 外形图

Figure 1 Outline drawing of YZW2-80-XXTH integrated oil level temperature gauge

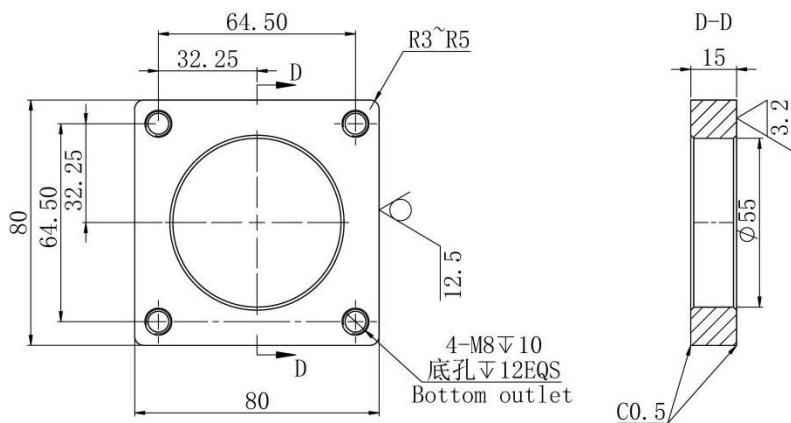


图 2 连接法兰

Figure 2 Connection flange

色卡编号 Color card No	颜色 Color	可选性 Optionality of choice
RAL7035	浅灰色 Light grey	默认 (Default)

扭矩参考表

Torque Reference Table

装配位置 Assembly position	螺纹规格 Thread specification	推荐扭矩 Recommended torque	装配工具规格 Assembly tool specification	备注 Notes
法兰安装孔 Flange installation hole	M8 螺栓 bolt	11~14Nm	 13mm	