

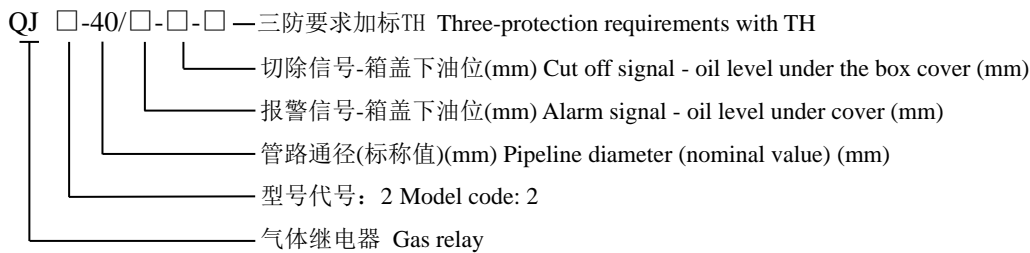
QJ2-40系列变压器用气体继电器

QJ2-40 series transformer gas relay

一、产品简介与型号说明 Product introduction and model description

QJ2-40 系列型气体继电器, 主要用于保护各种类型的油浸式全密封变压器。变压器在运行时, 由于内部故障产生气体, 气体聚集于气体继电器的集气室内, 当气体的容积达到一定程度时, 触发报警或切除触点, 输出报警信号或切除信号, 从而达到保护变压器的目的。

QJ2-40 series gas relay is mainly used to protect various types of oil-immersed hermetically sealed transformer. When the transformer is in operation, gas is generated due to internal fault and gathered in the gas collecting chamber of the gas relay. When the volume of gas reaches a certain degree, alarm or removal contact will be triggered to output alarm signal or removal signal, so as to protect the transformer.



标注实例: QJ2-40TH 表示报警信号气体值为箱盖下 20mm, 切除信号气体值为箱盖下 40mm (特殊的报警信号与切除信号油位值需要在订单上标注出来) 三防功能变压器用气体继电器。

Example annotation: QJ2-40TH indicates that the gas value of the alarm signal is 20mm below the box cover, and the gas value of the cut-off signal is 40mm below the box cover (special alarm signals and cut-off signal oil level values need to be marked on the order). The gas relay for the three proof function transformer.

使用范围: (a). 安装位置: 安装于箱盖顶部。(b). 环境要求: $-30^{\circ}\text{C}\sim+70^{\circ}\text{C}$ (可根据用户需求定制最高可支持 $-45^{\circ}\text{C}\sim+70^{\circ}\text{C}$); 工作环境: $-30^{\circ}\text{C}\sim+115^{\circ}\text{C}$ (可根据用户需求定制最高可支持 $-45^{\circ}\text{C}\sim+115^{\circ}\text{C}$); (c). 相对湿度: $+20^{\circ}\text{C}$ 时, 不大于 95%; (d). 防护等级: IP55 (可根据用户需求定制) 适用范围: 海拔 0~4000m; (e). 接点容量: AC 220V/1A、DC 220V/0.5A; (f). 工频耐压: 2000V, 1min. (g). 绝缘性能: 2500V, 500M Ω 。

Scope of use: (a). Installation position: Installed on the top of the box cover. (b) Environmental requirements: $-30^{\circ}\text{C}\sim+70^{\circ}\text{C}$ (can be customized according to user needs to support up to -45°C to $+70^{\circ}\text{C}$); working environment: $-30^{\circ}\text{C}\sim+115^{\circ}\text{C}$ (customizable according to user needs, can support up to $-45^{\circ}\text{C}\sim+115^{\circ}\text{C}$); (c) Relative humidity: not exceeding 95% at $+20^{\circ}\text{C}$; (d) Protection level: IP55 (Customizable according to user requirements). Scope of application: Altitude 0~4000m.; (e) Contact capacity: AC 220V/1A、DC 220V/0.5A; (f) Power frequency withstand voltage: 2000V, 1min; (g) Insulation performance: 2500V, 500M Ω .

二、安装尺寸图: Drawing

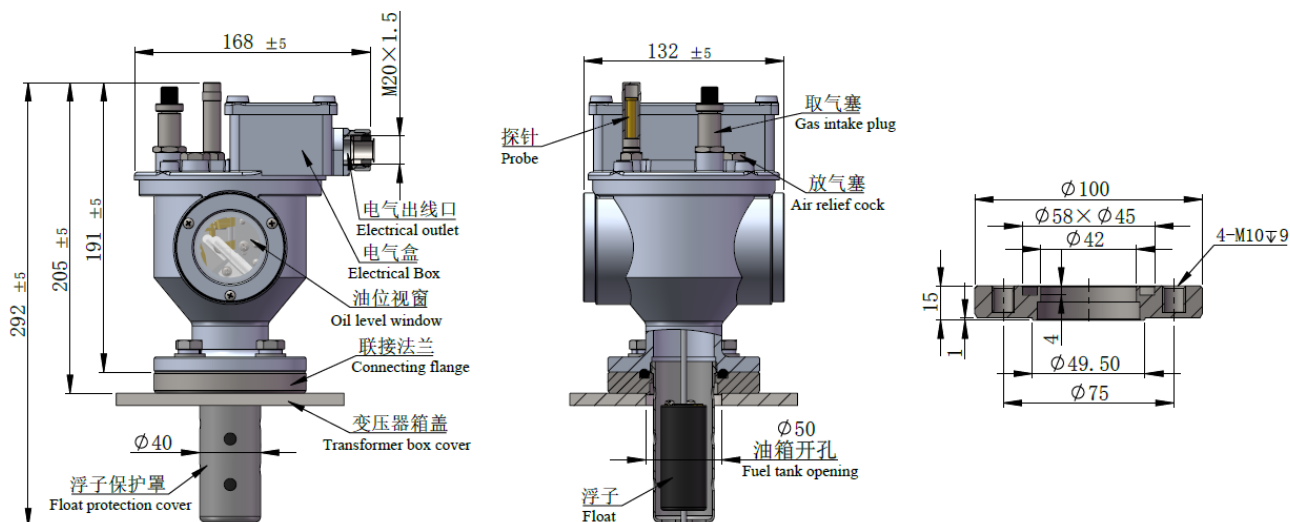
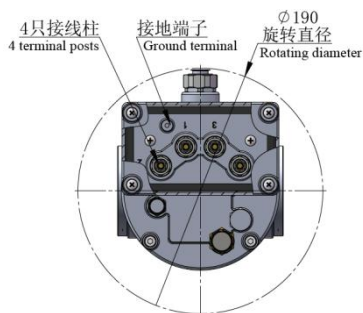


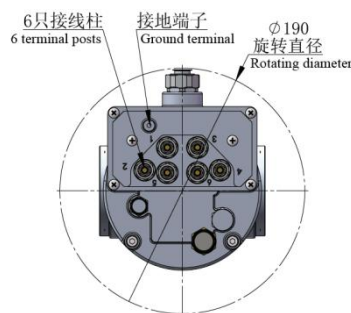
图 1 QJ2-40 TH 气体继电器外形尺寸图

Figure 1: Outline Dimensional Drawing of QJ2-40 TH Gas Relay



QJ2-40 TH 气体继电器-4 柱端子图

QJ2-40 TH gas relay -4-post terminal diagram



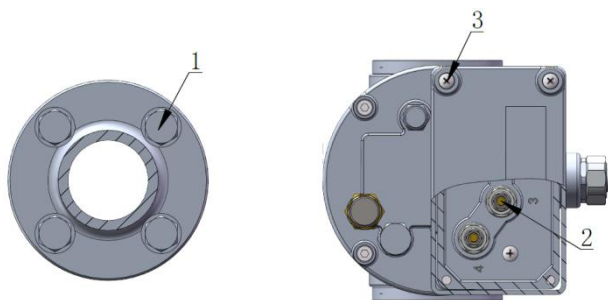
QJ2-40 TH 气体继电器-6 柱端子图

QJ2-40 TH gas relay -6-post terminal diagram

本产品提供多种颜色选择, 具体描述如下:

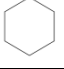

The product provides a variety of color options, specifically described as follows:

色卡编号 Color card No	颜色 Color	可选性 Optionality of choice
RAL7038	玛瑙灰 Agate grey	默认 (Default)
RAL7042	交通灰 A Traffic grey A	可选 (Optional)
RAL7035	浅灰色 Light grey	可选 (Optional)

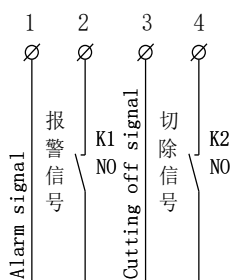


扭矩参考表

Torque Reference Table

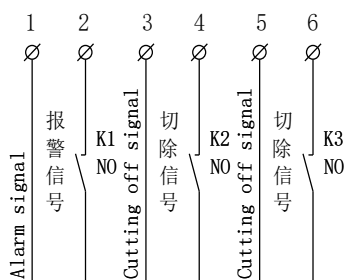
序号 Number	装配位置 Assembly position	螺纹规格 Thread specification	推荐扭矩 Recommended torque	装配工具规格 Assembly tool specification		备注 Notes
1	法兰安装孔 Flange installation hole	M10 螺栓 bolt	18~22Nm		17mm	
2	接线端子 Connecting terminal	M5	4~5Nm		8mm	建议手动安装 Suggest manual installation
3	接线盒盖 Terminal box cover	M5	4~5Nm		PH2	建议手动安装 Suggest manual installation

三、电气接线图: Electrical wiring diagram



QJ2-40TH 4 柱接线图

QJ2-40TH 4-post wiring diagram



QJ2-40TH 6 柱接线图

QJ2-40TH 6-post wiring diagram

图 2 QJ2-40 TH 电气接线图

Figure 2: QJ2-40 TH Electrical Wiring Diagram